

## PREFABRICATED ROOM COMPOSITION EXAMPLE

### 1. Room components

Following examples explains how to compose a room.

Component list

- Panels - 80 mm thickness - 1140 mm width
  - nr. 12 - length 2500 mm
  - nr. 3 - length 3540 mm
- Panel joints
  - nr. 6 - external corner mm 50x150x4000 - steel
  - nr. 4 - internal section mm 30x30x6000 - aluminium
  - nr. 6 - internal section mm 66x66x4000 - PVC (to overlap to the aluminium one)
  - nr. 4 - internal section 3 way corner
  - nr. 3 - "U" section - mm 80x6000 - PVC

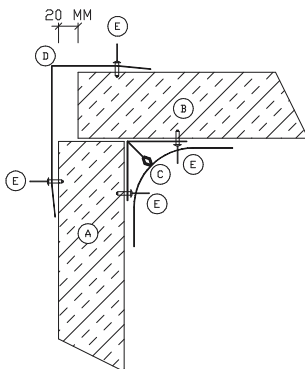
### 2. Joints

Following drawings explain how to connect prefabricated panels to compose a room.

Please download them in Adobe Acrobat format from [www.micheletti.org](http://www.micheletti.org).

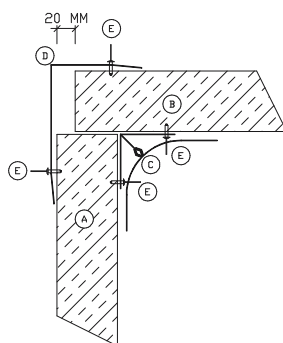
doc H113W

ROUNDED HORIZONTAL JOINT  
FOR ROOM AT 0° C



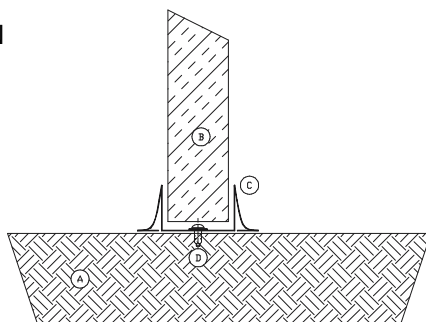
doc H114W

ROUNDED VERTICAL JOINT  
FOR ROOM AT 0° C

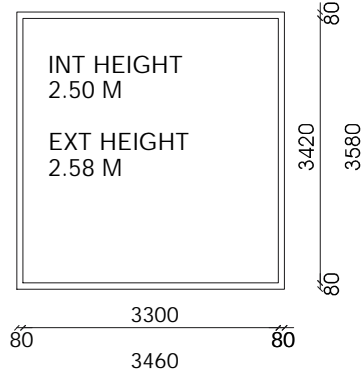


doc H119W

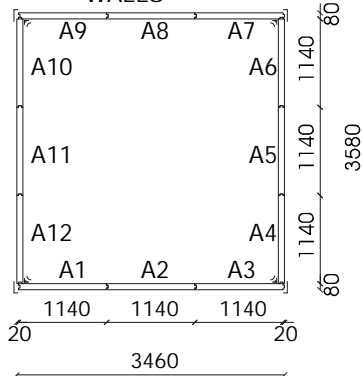
ROUNDED GROUND SECTION  
FOR ROOM AT 0° C



PLAN



WALLS



CEILING

